



Company23 Standard Boost Control Solenoid Installation Instructions



SPECIAL NOTES:

- The use of a factory service manual is highly recommended. These can be purchased at the dealer, or downloaded online at <http://techinfo.subaru.com>
- Company23 is not responsible for damage done to your vehicle as a result of misuse of this product.
- Company23 does its best to ensure the accuracy of this manual but is not responsible for errors.

Main Installation Steps:

1. Remove factory boost controller and install Company23 boost controller in its place. (See model specific notes and images below for mounting hardware configuration).
2. Connect vacuum lines to boost controller.
 - Port 1: vents to atmosphere or connects to intake
 - Port 2: Connects to a wastegate
 - Port 3: Connects to a boost source
3. Connect the wiring connector to the OEM harness.
4. Have the car tuned for the new 3 port boost controller.

Model Specific Notes and Images

1. 2002-2007 WRX / 2004-2007 STI / 2004-2008 FXT INSTRUCTIONS (Kit 528):

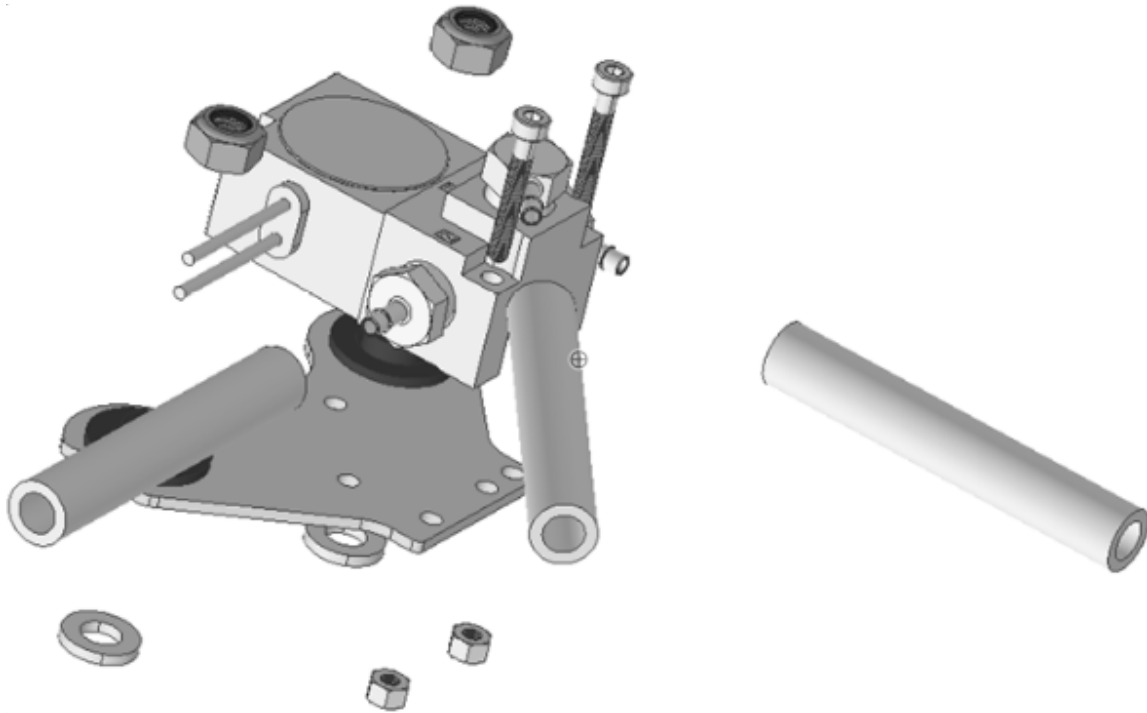


Figure 1: Kit 528 Exploded view

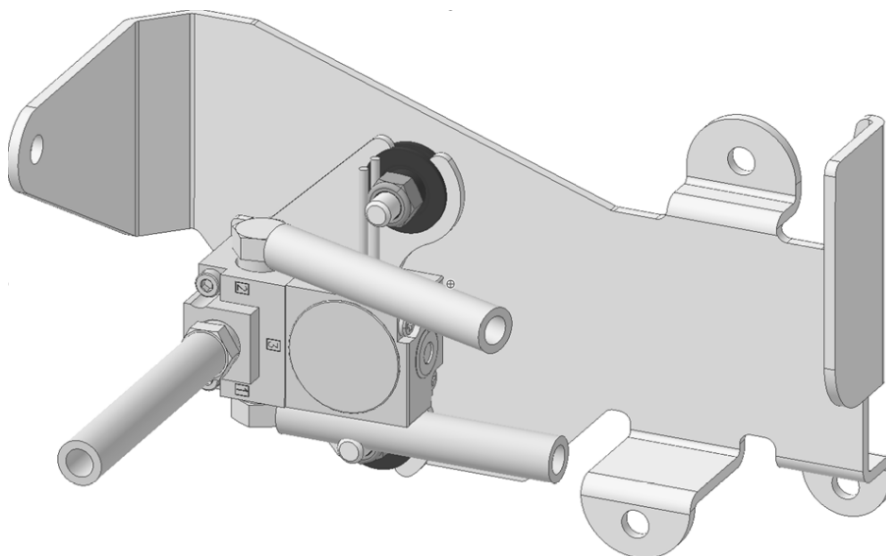


Figure 2: Kit 528 installed in 2002-2003 WRX

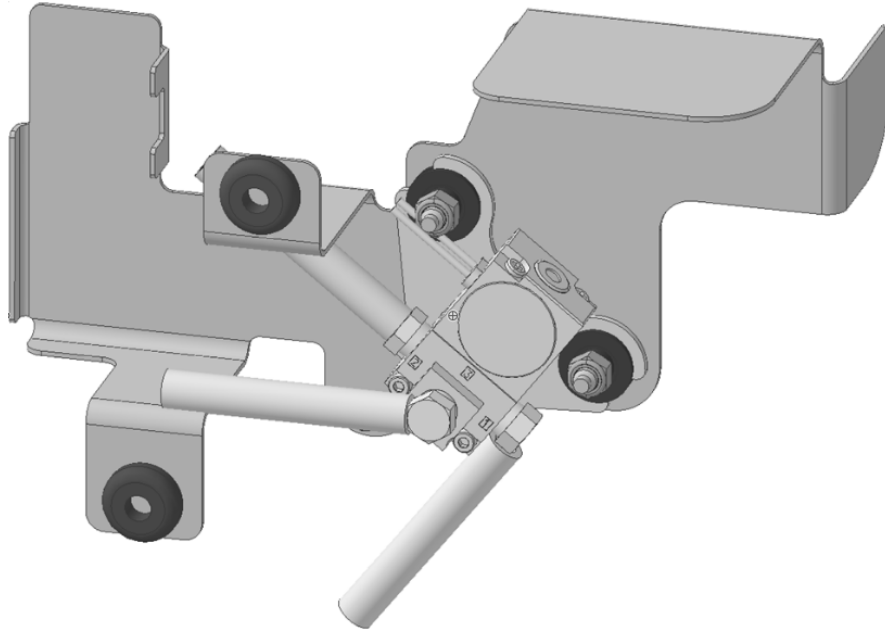


Figure 3: Kit 528 installed in 2004-2007 WRX / 2004-2008 FXT

2. 2005-2009 LGT / 2008-2014 WRX / 2009-2013 FXT INSTRUCTIONS (Kit 529):

Note: Replace the OEM vacuum hose from the check valve to the MAP sensor with the supplied vacuum hose.

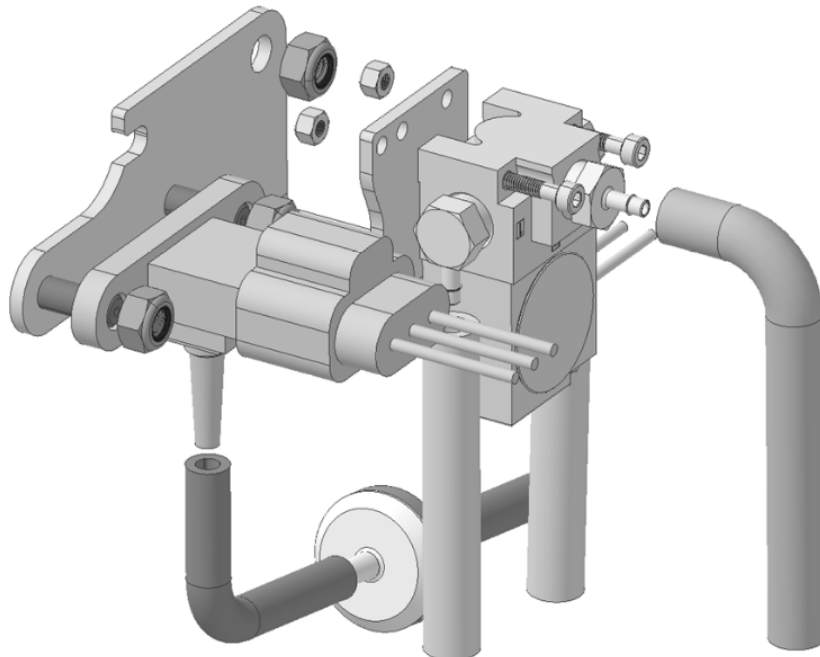


Figure 4: Kit 529 Exploded view

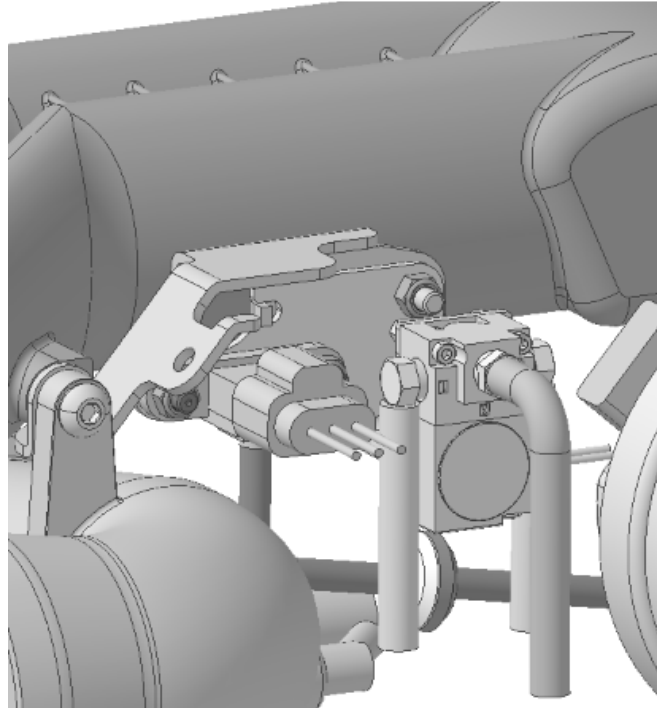


Figure 5: Kit 529 installed in 2005-2009 LGT / 2008-2014 WRX / 2009-2013 FXT

3. 2008-2015 STI INSTRUCTIONS (Kit 530):

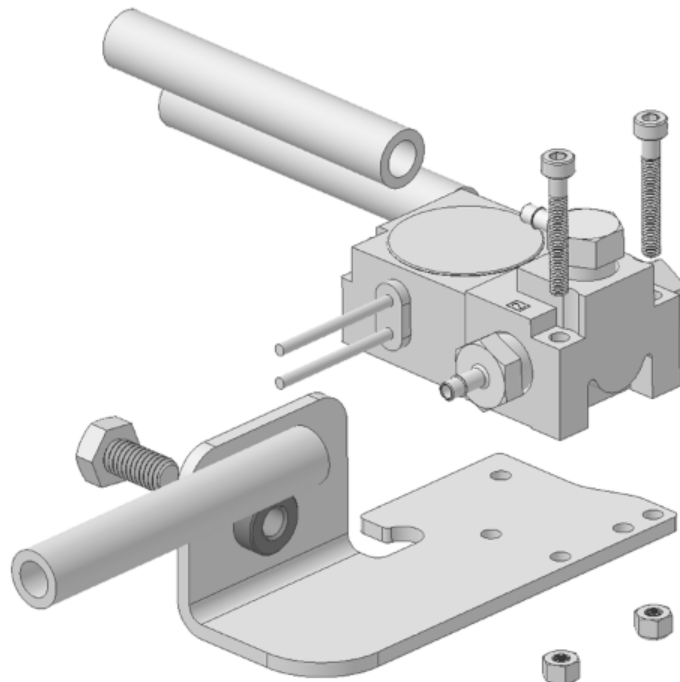


Figure 6: Kit 530 Exploded view

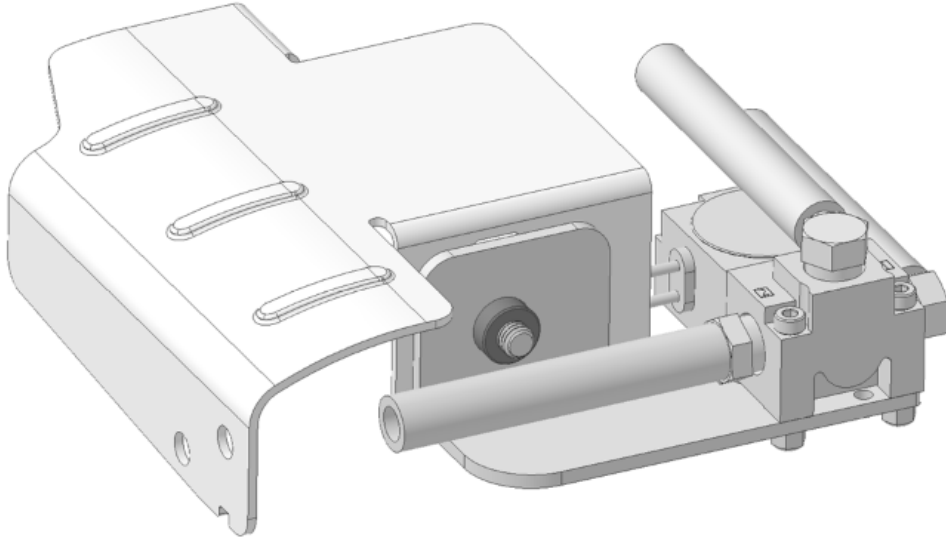


Figure 7: Kit 530 installed in 2008-2015 STI

4. 2015 WRX INSTRUCTIONS (Kit 531):

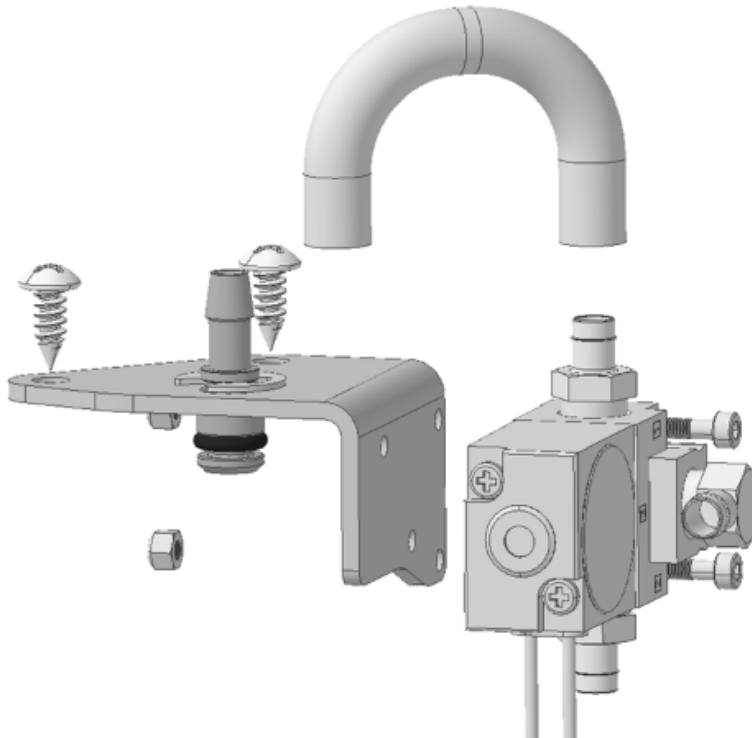


Figure 8: Kit 531 Exploded view

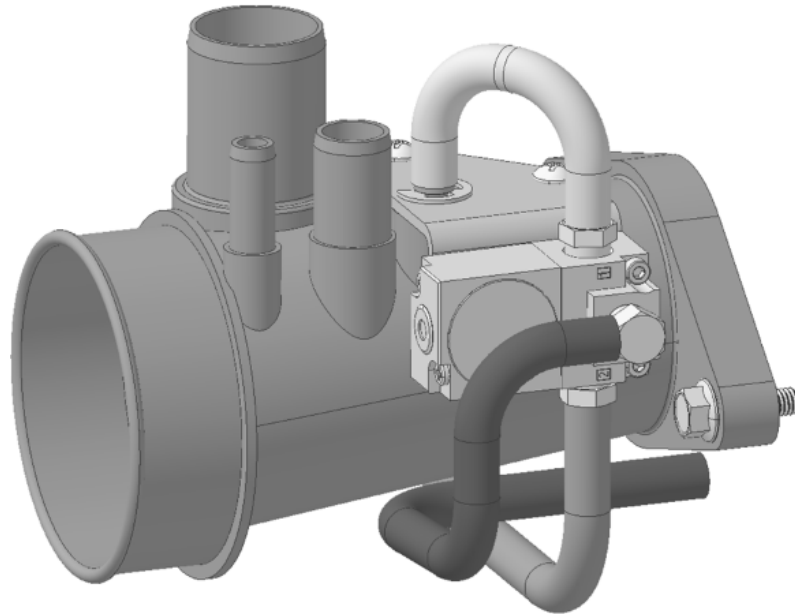


Figure 9: Kit 531 installed in 2015 WRX

For Questions & comments please contact sales@company23.com