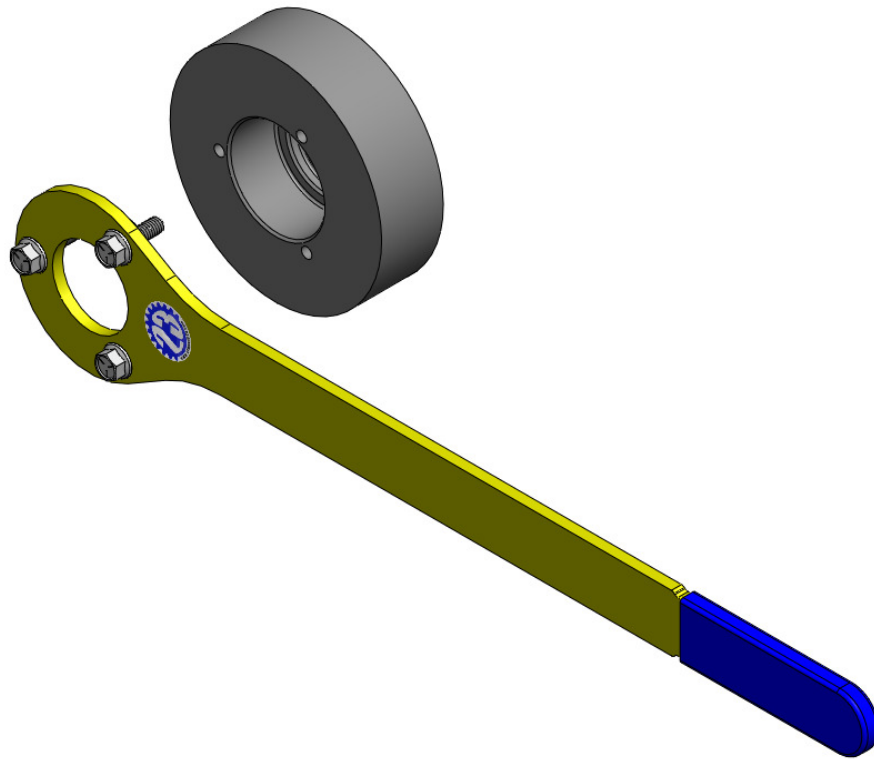




PN 573 Subaru Fluidampr Crank Pulley Tool Instructions



SPECIAL NOTES

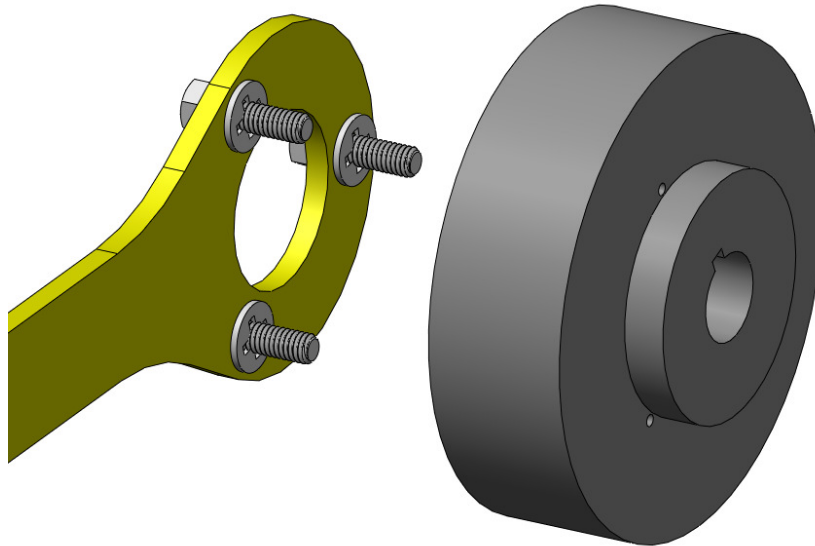
- The use of a factory service manual is highly recommended. These can be purchased at your local dealer
- Company23 is not responsible for damage done to your vehicle as a result of misuse of this product
- Company23 does its best to ensure the accuracy of this manual but is not responsible for errors

FluidDamp

- Use this tool to securely hold your Subaru Fluidampr while tightening the main crank bolt.
- Utilize the included hardware in the orientations as shown below to avoid scratching the face of the pulley.

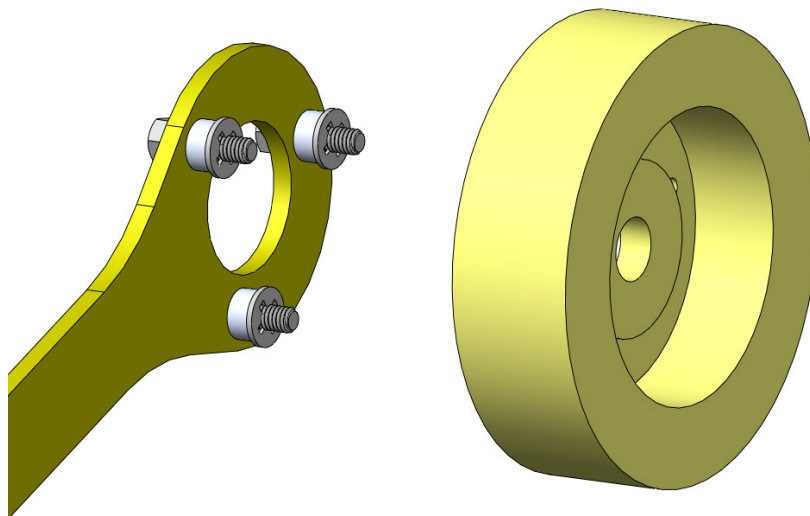
EJ Pulley

- For EJ Pulleys (Fluidampr PN 531101) utilize the included bolts and nylon washers only (do not use the included aluminum spacers) this is shown in the image below.



FA Pulley

- For the FA Pulleys (Fluidampr PN 571101) utilize the bolts, aluminum spacers, and washers in the orientation shown in the image below.



For Questions and Comments Please Contact c23@company23.com